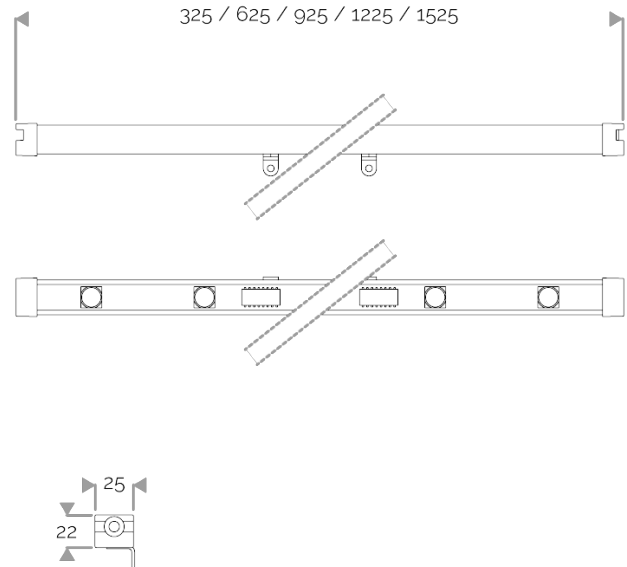


## X-LINE NANO - Compact LED linear luminaire

819-0505 X-LINE NANO 4 24V Fixed warm white 2700K 2x30° L325mm 3W IP66



### APPLICATION

IP66 LED linear luminaire for outdoor lighting. DO NOT RECESS.  
Backlight or marker light for use on handrails, walls, window frames, bars, rooves, showcases, shelving etc...

### LIGHTING FEATURES

CRI70. Monochromatic power LED.

### ELECTRICAL FEATURES

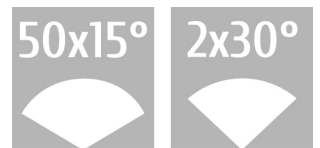
Luminaires are wired in parallel using a separate 24V DC power supply + 10 kA/5 kA surge protector. Luminaire comes in a fixed or dimmable version. Control is to be specified when ordering. Default cable length is 1.5m.

### MECHANICAL FEATURES

IP66, IK06. Ultra-compact profile in anodized aluminium. Semi-rigid polyurethane resin coating that absorbs thermal expansion and is insulating, watertight, solvent-free and halogen-free. Product is mounted on two anodized aluminium brackets. Delta Seal® treated stainless steel screws. Glare shield comes in raw aluminium with the RAL powdercoat colour to be specified when ordering. Weights: 325mm: 0,25 kg. 625mm: 0,47 kg. 925mm: 0,7 kg. 1225mm: 0,9 kg. 1525mm: 1,15 kg.

### WARRANTY

5-year warranty: on LED module and driver (see the FLUX conditions).



**Lifetime: 60 000 hours L80 B10**

### LUMEN DATA

Lumen nominal total warm white 2700K (lm)	230
lm/W LED warm white 2700K	115
lm/W product warm white 2700K	76,7
Qty LED	4
Ta max.	30°C
Tj (at 25°C)	85°C

### POWER

Product Led Power (W)	2
Product Power (W)	3

