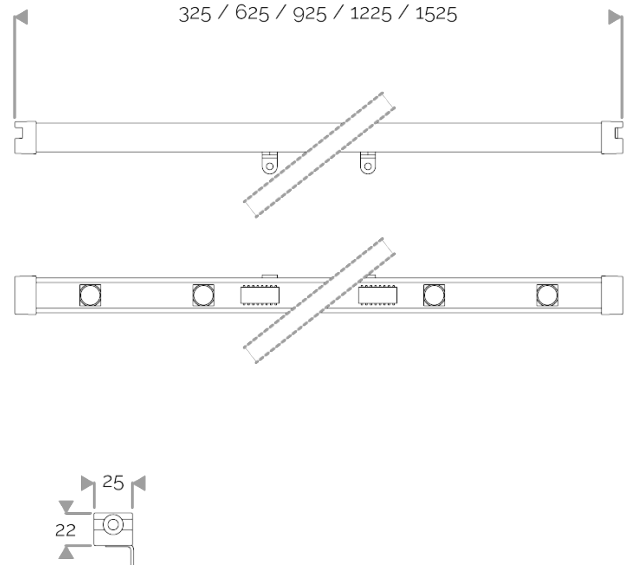


X-LINE NANO - Compact LED linear luminaire

819-0885 X-LINE NANO 8 24V Control amber 2x30° L625mm 6W IP66



APPLICATION

IP66 LED linear luminaire for outdoor lighting. DO NOT RECESS.
Backlight or marker light for use on handrails, walls, window frames, bars, rooves, showcases, shelving etc...

LIGHTING FEATURES

CRI70. Monochromatic power LED.

ELECTRICAL FEATURES

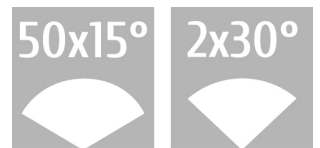
Luminaires are wired in parallel using a separate 24V DC power supply + 10 kA/5 kA surge protector. Luminaire comes in a fixed or dimmable version. Control is to be specified when ordering. Default cable length is 1.5m.

MECHANICAL FEATURES

IP66, IK06. Ultra-compact profile in anodized aluminium. Semi-rigid polyurethane resin coating that absorbs thermal expansion and is insulating, watertight, solvent-free and halogen-free. Product is mounted on two anodized aluminium brackets. Delta Seal® treated stainless steel screws. Glare shield comes in raw aluminium with the RAL powdercoat colour to be specified when ordering. Weights: 325mm: 0,25 kg. 625mm: 0,47 kg. 925mm: 0,7 kg. 1225mm: 0,9 kg. 1525mm: 1,15 kg.

WARRANTY

5-year warranty: on LED module and driver (see the FLUX conditions).



Lifetime: 60 000 hours L80 B10

LUMEN DATA

Lumen nominal total amber (lm)	210,4
lm/W LED amber	75,1
lm/W product amber	35,1
Qty LED	8
Ta max.	30°C
Tj (at 25°C)	85°C

POWER

Product Led Power (W)	2,8
Product Power (W)	6

