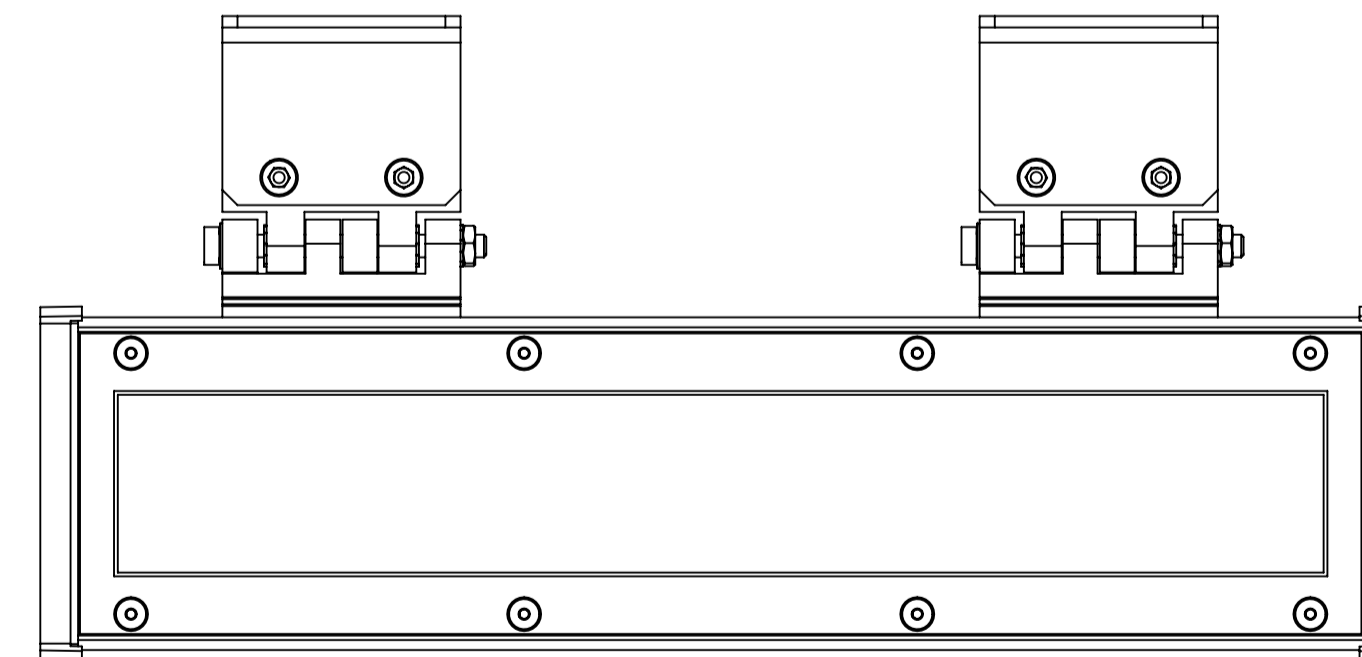
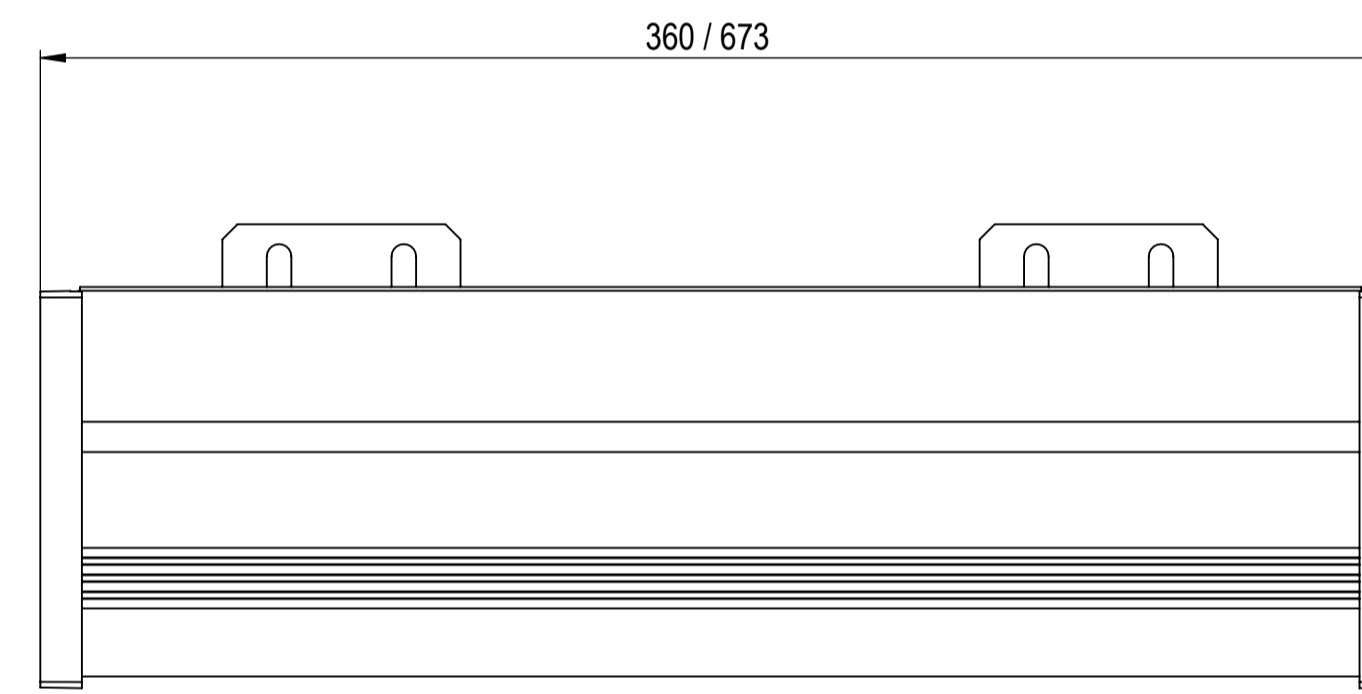
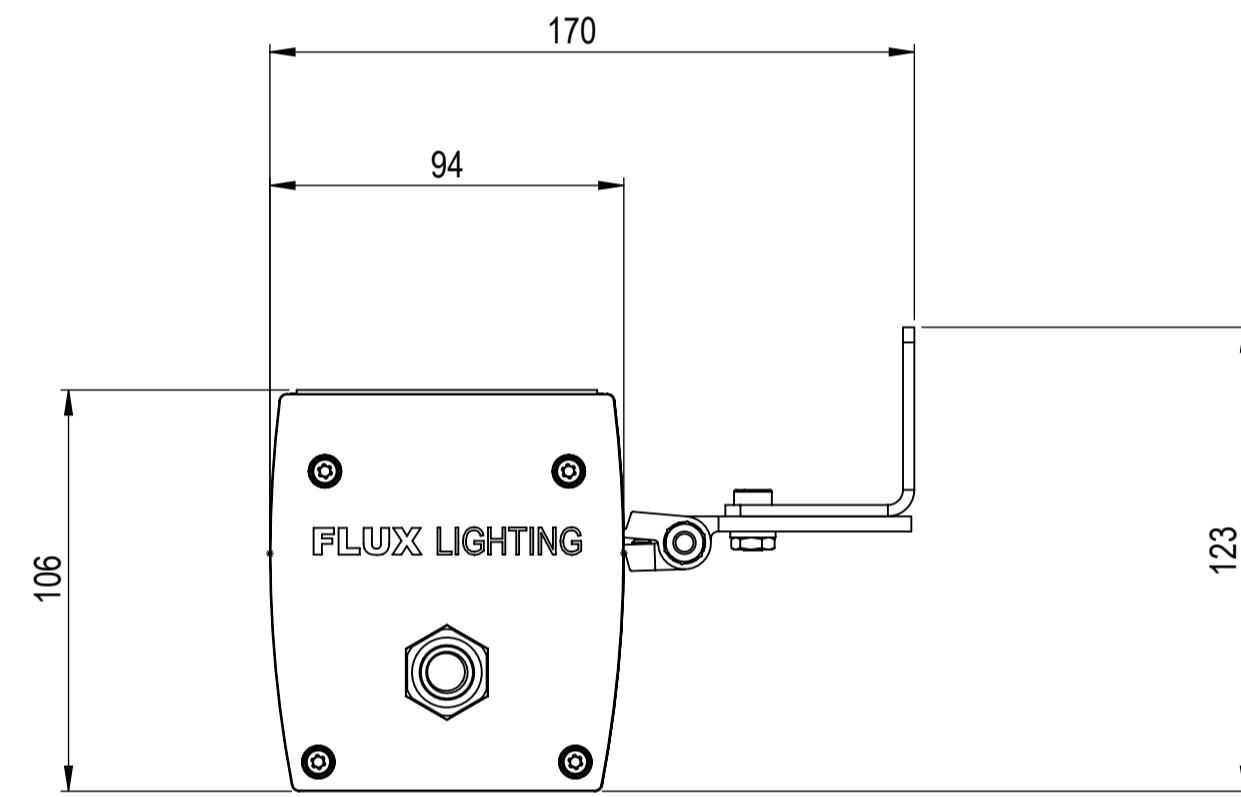
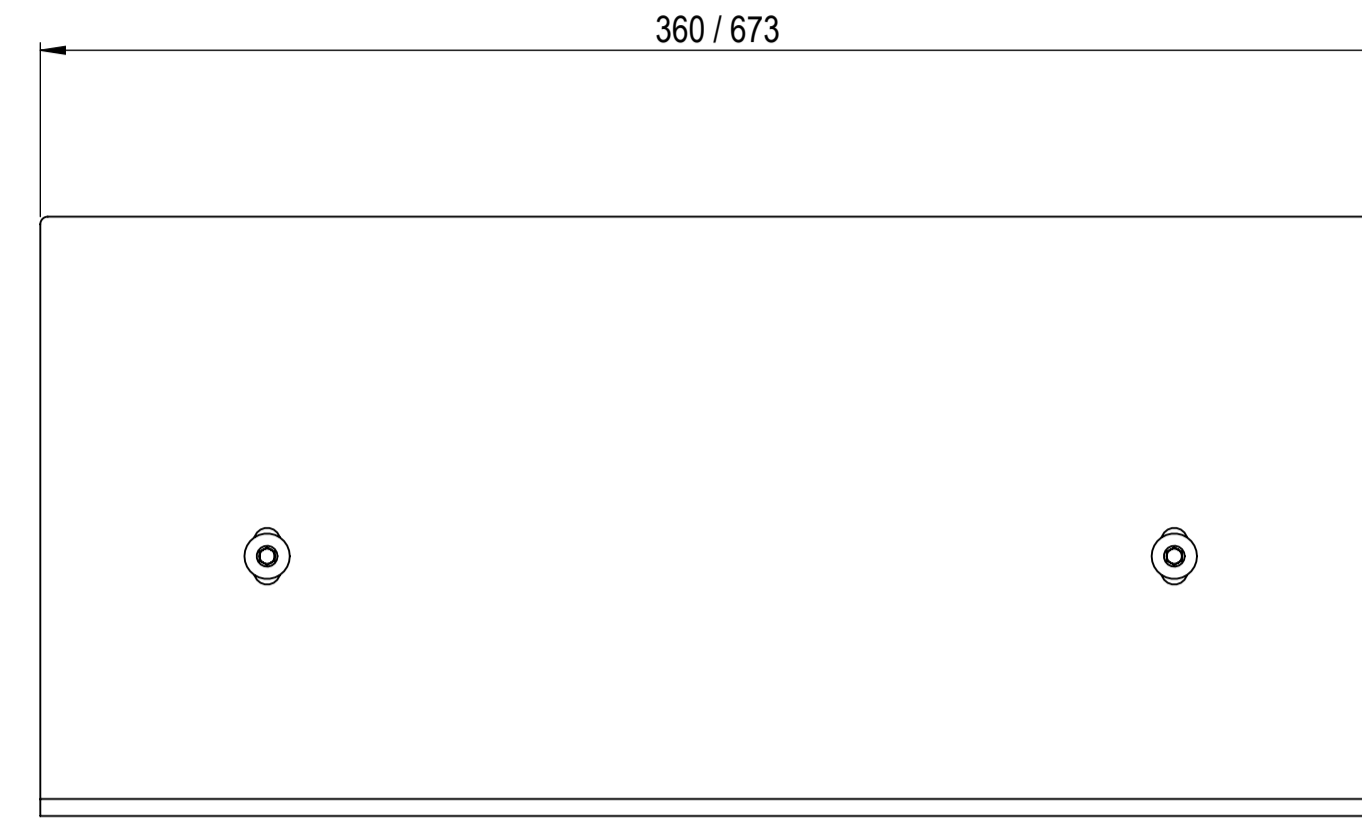
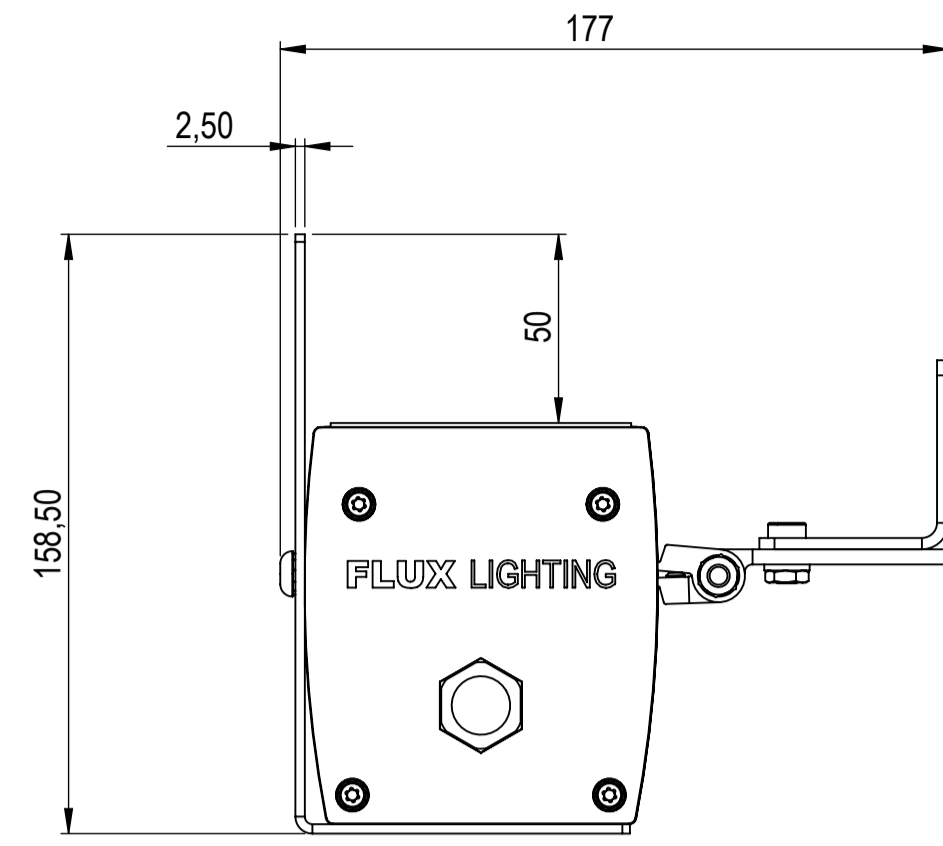



AVEC ACCESSOIRE / WITH ACCESSORY  
Visière / Glare shield



INDICE	DATE	MODIFICATION
A	28/06/18	Création du plan / First issue

	ZAC de Chênes Nord 5 rue de Brusson CS2220 38291 SATOLAS-ET-BONNE CERRE Tel : 00 33 (0) 4 26 38 91 91 www.flux-lighting.com info@flux-lighting.com	<h2>X-LINE QUATTRO</h2>
	<small>                     PLAN REALISE EN CAD/TOUTE MODIFICATION MANUELLE EST INTERDITE.                      DRAWING MADE WITH CAD SYSTEM, NO MANUAL MODIFICATIONS ALLOWED.                      TUDO DESENHO FEITO EM CAD/TODAS MODIFICACOES MANUAIS PROIBIDAS.                      ALL RIGHTS RESERVED. CONFIDENTIAL. PROPRIETARY DATA.                 </small>	

