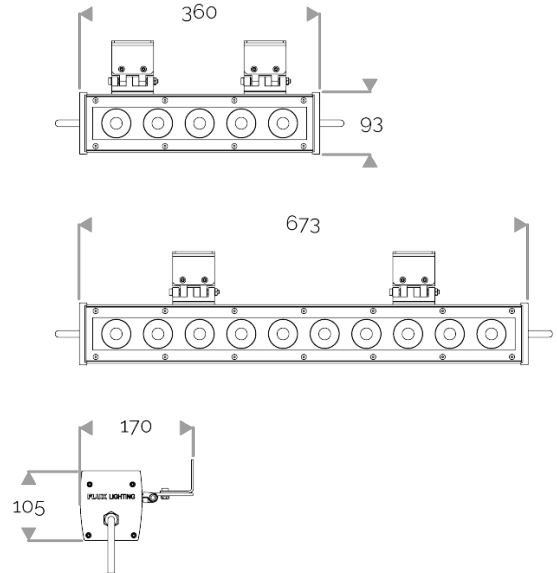


**X-LINE QUATTRO - Custom colours**

823-0535 X-LINE QUATTRO 10 230V DMX RGB-4000K 2x5° L673mm 58W IP66



## X-LINE QUATTRO - Custom colours

823-0535 X-LINE QUATTRO 10 230V DMX RGB-4000K 2x5° L673mm 58W IP66

### APPLICATION

High-power LED luminaire for outdoor lighting available in custom colours. DO NOT RECESS.  
Accentuation lighting for architectural facades, shop fronts, sculptures, columns etc...

### LIGHTING FEATURES

CRI70. 230V luminaire for outdoor lighting with 20 or 40 LED: : RGBW or customised choice of 2 to 4 colours.

### ELECTRICAL FEATURES

CONNECT SYSTEM for reliable and fast installation. Integrated DMX power supply. Built-in 10 kV/5 kA surge protection.

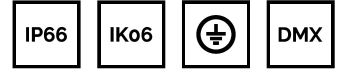
### MECHANICAL FEATURES

IP66, IK06. Anodized aluminium profile. Clear PMMA. Silicone gasket. Delta Seal® treated stainless steel fasteners.

Weights: 360mm : 3,8 kg. 673mm : 7 kg.

### WARRANTY

5-year warranty: on LED module and driver (see the FLUX conditions).



**Lifetime: 60 000 hours L80 B10**

### LUMEN DATA

Lumen nominal total neutral white 4000K (lm)	1647
Lumen nominal total red (lm)	628
Lumen nominal total green (lm)	1191
Lumen nominal total royal blue (mW)	7114
lm/W LED neutral white 4000K	109,1
lm/W LED red	56,6
lm/W LED green	75,9
mW/W LED royal blue	465
Qty LED	10
Ta max.	30°C
Tj (at 25°C)	85°C

### INRUSH CURRENT

Inrush Current (A)	70
Inrush Current Time (µs)	435

### POWER

Product Led Power (W)	57,2
Product Power (W)	68,4

