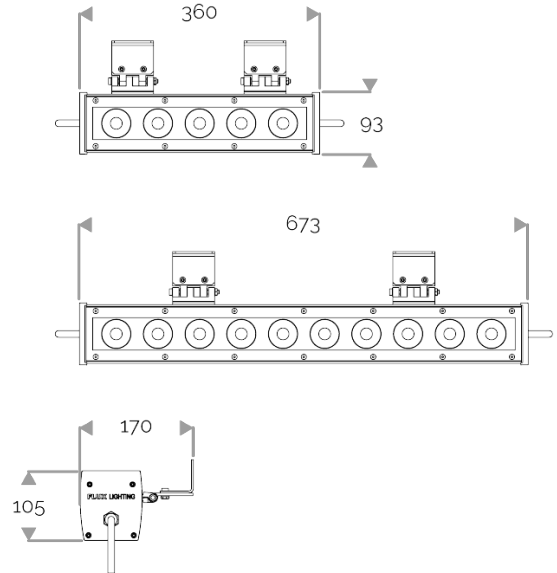


### X-LINE QUATTRO - Custom colours

823-0570 X-LINE QUATTRO 10 230V DMX WHITE MIX 2x11° L673mm 58W IP66



## X-LINE QUATTRO - Custom colours

823-0570 X-LINE QUATTRO 10 230V DMX WHITE MIX 2x11° L673mm 58W IP66

### APPLICATION

High-power LED luminaire for outdoor lighting available in custom colours. DO NOT RECESS.  
Accentuation lighting for architectural facades, shop fronts, sculptures, columns etc...

### LIGHTING FEATURES

CRI70. 230V luminaire for outdoor lighting with 20 or 40 LED: : RGBW or customised choice of 2 to 4 colours.

### ELECTRICAL FEATURES

CONNECT SYSTEM for reliable and fast installation. Integrated DMX power supply. Built-in 10 kV/5 kA surge protection.

### MECHANICAL FEATURES

IP66, IK06. Anodized aluminium profile. Clear PMMA. Silicone gasket. Delta Seal® treated stainless steel fasteners.

Weights: 360mm : 3,8 kg. 673mm : 7 kg.

### WARRANTY

5-year warranty: on LED module and driver (see the FLUX conditions).



**Lifetime: 60 000 hours L80 B10**

### LUMEN DATA

Lumen nominal total (lm)	6184
Lumen nominal total warm white 2700K (lm)	1445
Lumen nominal total warm white 3000K (lm)	1445
Lumen nominal total neutral white 4000K (lm)	1647
Lumen nominal total cold white 6500K (lm)	1647
lm/W LED total	102,4
lm/W LED warm white 2700K	95,7
lm/W LED warm white 3000K	95,7
lm/W LED neutral white 4000K	109,1
lm/W LED cold white 6500K	109,1
Qty LED	10
Ta max.	30°C
Tj (at 25°C)	85°C

### INRUSH CURRENT

Inrush Current (A)	70
Inrush Current Time (µs)	435

### POWER

Product Led Power (W)	60,4
Product Power (W)	72,2

