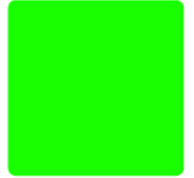


# FICHE TECHNIQUE

302-0220 1CC/surge protection 10kV single power LED 52W 1,4A fixed

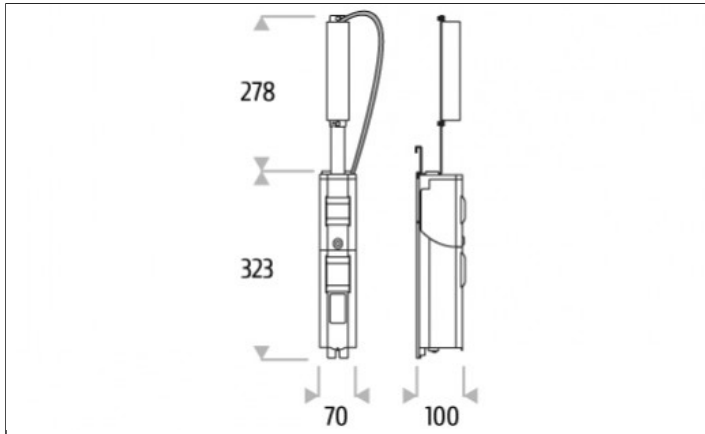
FLUX  
LIGHTING



12-12-18

CE RoHS

Photo et schéma produit :



## ELECTRICAL CLASS

Class I.

## OUTPUT CURRENT

1,4A.

## OUTPUT POWER MAX.

52W.

## PROTECTIONS

Cutout, protection box IP44.

## INNER DIAMETER OF THE POLE

110mm.