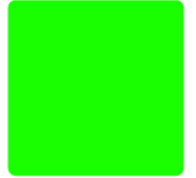


FICHE TECHNIQUE

302-0230 2CC/surge protection 10kV double power LED 52W 1,4A fixed

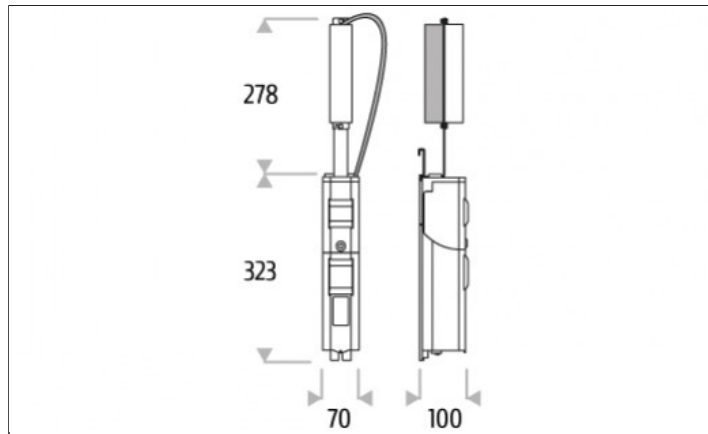
FLUX
LIGHTING



12-12-18

CE RoHS

Photo et schéma produit :



ELECTRICAL CLASS

Class I.

OUTPUT CURRENT

1,4A.

OUTPUT POWER MAX.

52W.

PROTECTIONS

Cutout, protection box IP44.

INNER DIAMETER OF THE POLE

110mm.