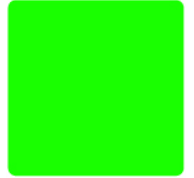


FICHE TECHNIQUE

893-0220 700mA POWER LED CONTROL 100W IP65

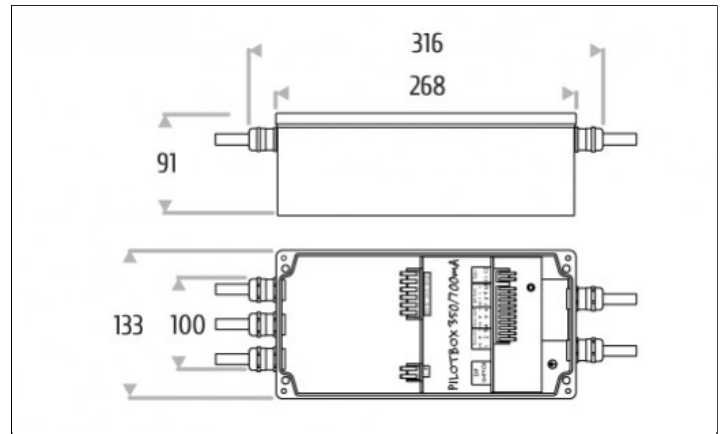
FLUX
LIGHTING



12-12-18

CE RoHS

Photo et schéma produit :



CONTROL

DALI.

CLASSIFICATION

IP65.

ELECTRICAL CLASS

Class I.

PRIMARY VOLTAGE

90 - 295V AC.

FREQUENCY

47 / 63Hz.

OUTPUT CURRENT MAX.

700mA.

POWER FACTOR

PF > 0,95 / 230V AC.

FICHE TECHNIQUE

893-0220 700mA POWER LED CONTROL 100W IP65

FLUX
LIGHTING



INRUSH CURRENT

40A / 230VAC.

SECONDARY VOLTAGE

48V DC.

PROTECTIONS

Short circuit, overload, overvoltage, over temperature.

AMBIENT TEMPERATURE MAX.

30°C.

MATERIALS

Paint metal box.

STANDARD

EN61347-2-13.